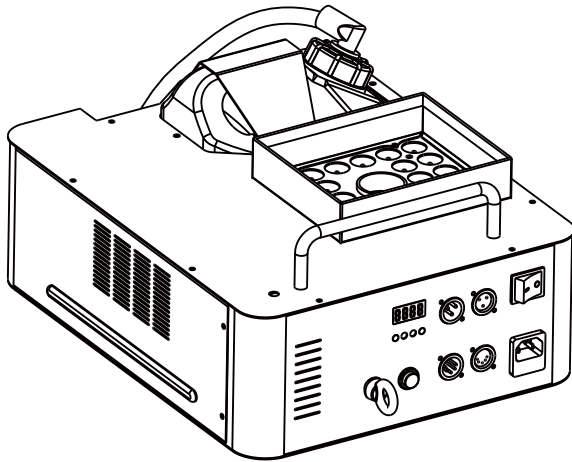




[PRO STAGE EFFECTS]



DSK-1500V *USER MANUAL*
LED VERTICAL FOG MACHINE

● Foreword

Thank you very much of choosing DJPOWER DSK-1500V LED Vertical Fog Machine.

Before start operating, we strongly suggest you to read the user manual carefully. Following the instructions here will ensure your safety while operating the machine, easily achieve the best effect, as well as understand the right way to care for and maintain the machine, hence to prolong the product life cycle.

● Introduction

DSK-1500V is a vertical jet fog machine ,with 21(3w)pcs RGB LED , suitable for indoor and outdoor use .Users can put it flat wise and sidelong, hang it on the wall and shelf .Powerful vertical fog can reach 6~8 meters high and colors can be changed optional .The most important is that it ensures fog bursts and stops simultaneously. Because it uses DJPOWER's unique immediate-stop patent technology.

● Features

1. 21 pcs(3 W)single RGB LED helps to create colorful stage effect;
2. Equipped with fluid sensor to protect pump;
3. Be with spraying smoke buttons for emergency using.
4. Equipped with W-5 high-accuracy metal wireless remote control;
5. The heating system uses MIRROR patent technology(MIRRIOR Pipe) to prevent the heater from being blocked
6. With DJPOWER unique "immediate-stop" patent technology, creating dry and fine fog without any residues;
7. Nixie tube control the interface and support DMX-512 signal ;
8. Use DJPOWER PRO-V fluid only, otherwise damage to the unit.
9. By using PRO-V liquid, the fog is thin and white, disappears in a few seconds, much more close to CO₂ Jet effects. Due to PRO-V's high capacity of transparency, colorful fog jet will present much more brighter;

● Safety use

1. Keep the fixture dry. For indoor and outdoor used.
2. Use grounded electrical outlet. Prior to use,make sure that unit is installed at the rated voltage.
3. Turn off or unplug when not using it.
4. This machine is not water-proof. Please keep it away from moisture and water. If moisture, water, or fluid gets inside the housing, stop using it.

5. No user serviceable and modifiable parts inside. Do not disassemble the housing and do any modification, otherwise it might cause damage to the unit or danger of burning.
6. For adult use only. Fixture must be installed out of the reach of children. Never leave the unit running unattended. Keep it away from fire, combustible and flammable materials.
7. Position the machine in well-ventilated area. Please leave about 50cm spaces surrounding the unit.
8. Please do not use the fixture under high temperature.
9. Never add flammable liquids of any kind(oil,gas,perfume)to the fog liquid.
10. If something wrong happen while using, please stop the fixture immediately, cut off the power, and check the fog liquid amount, fuse, power cable and power plug. If problem could not be resolved, please contact with your dealer.
11. Use only DJPOWER high-quality PRO-V fog liquid.
12. Never drink liquid. If it is ingested, call a doctor immediately for any discomfort. If liquid comes in contact with skin or eyes, rinse thoroughly with water.

- **Opening the package and inspecting the machine**

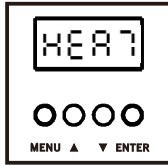
Please make sure the machine is in good condition after opening the package. If there is any damage, please contact with your dealer directly and do not power on the machine

- **The following parts should be included when you receive the package**

1. One DSK-1500V machine
2. One W-5 wireless remote
3. One power cord
4. One user manual

- **Operating Instruction**

1. After checking that all the parts are intact and complete, position the machine on flat.
2. Pour PRO-V fog liquid into the oil tank carefully and screw the cap. Please use the fog liquid designated by DJPOWER, otherwise it might do harm to the machine itself, also void the warranty.
3. Connecting the power cord. Before power on, make sure it is connected with the rated voltage.
4. Turn on the machine, it will immediately start heating up, the digital display will show "WARMING UP".



5. It takes about 4 minutes for DSK-1500V to heat up completely. The digital display will change to “ADDRG” when it is ready. Press the on board fog button on the machine’s rear panel or the any button on the remote to create fog.

● **Instruction to digital display**

MENU button: When it shows “HEAT”, press “menu” button to enter the page “ADDR”.

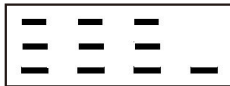
Up button: Increase the relevant value of each page.

Down button: Decrease the relevant value of each page.

Enter button: Enter or exit each page.

◆ **How to register the wireless remote**

When the wireless control function is activated, digital display will show as the above picture once the machine is powered on. The line will increase gradually, and the digital display will exit this page till the line is full (12 lines). It takes 12 seconds to fulfill this. During this time, press any button on the remote, the digital display will flash twice, this means that the wireless remote matches with fog machine successfully. Users can control the machine by the wireless remote.
 Remark: There would be no response for rematch.



One machine can match with five different frequency controllers at most(The process should be finished within 12s). If the machine has matched with a controller last time, then in next time’s use, if user does not register it with another new remote, it will recognise last time’s remote. While if the machine has matched with three controllers last time, and user matches it with another new remote in next time’s use, it would only recognise the new remote rather than the old three.

◆ **How to use the operate the digital display**

Press MENU button to navigate different setting pages.

1. DMX address setting page.



When it shows ADDR, press ENTER button to enter into the setting page of DMX address. Press UP or DOWN to increase or decrease the address value. After finished setting, press ENTER button again to back to page ADDR.

2. LED color setting page



When it shows "CH-1", press ENTER button to set LED color under button one. Through UP and DOWN button, user can realize the color setting. After finished setting, press ENTER again to exit to page CH-1. The LED's color could be set to OFF, 9 colors (Co1-Co9) and change color automatically (rand).

A. When set to OFF, the LED would not light up.

B. 9 colors are as following:

- Co 1: Red
- Co 2: Green
- Co 3: Blue
- Co 4: Pink
- Co 5: Purple
- Co 6: Orange
- Co 7: Yellow
- Co 8: Sky blue
- Co 9: White

After setting the above color, the LED will show the corresponding color when press the button A on the remote(CH-1 matches with button A).

C. Under Random mode, the LED will change color freely, the interval is 1s.

Note: Under DMX control, the LED's color would be controlled by DMX controller instead of this color setting page.

3. There are four color standby modes, namely CH-1, CH-2, CH-3 and CH-4. Different channels match with different button on the wireless remote.

4. Wireless remote setting



When it shows REMO, press ENTER button to set wireless remote function. Press UP button, it will show ON. This means that the wireless control function is activated, and it will show the registering page when the machine is powered on. Press DOWN button, it will be OFF. This means that the wireless control function is shut off. And it will not show the wireless remote registering page when the machine is powered on. After setting, press ENTER button again to exit to page REMO.

5. Setting page for fluid sensor



When it shows OIL, press ENTER button to set the status of low-fluid protection. Press UP button, it will show ON. This means that the low-fluid protection function is activated. Press DOWN button, it will be OFF. This means that low-fluid protection function is shut off. After setting, press ENTER button again to exit to page OIL.

● Machine's functions

This machine supports wireless remote control, DMX control, fluid sensor, stop immediate function and LED lights (3W LED, 21 in total). DMX control is prior to wireless remote control. Fog duration is about 7S.

◆ LED lights instruction

LED lights are controlled by the digital display and DMX.

1. Under wireless remote control, LED color is set according to the digital display. The LED's on/off synchronize with the Fog's on/off.
2. Under DMX control, fog and LED are separate. It has 7 channels to control the effects of LED lights. Please refer to below DMX instruction for the details.

◆ DMX instruction

There are 8 DMX channels, see as following:

Channel 1: Spray (0-9) OFF, (10-255) ON.

Channel 2: LED in red, (0-9) OFF, (10-255) LED lights up gradually.

Channel 3: LED in green, (0-9) OFF, (10-255) LED lights up gradually.

Channel 4: LED in blue, (0-9) OFF, (10-255) LED lights up gradually.

Channel 5: LED color mixing, (0-9) OFF, (10-255) LED color mixing.

Channel 6: Random, (0-9) OFF, (10-255) getting faster.

Channel 7: LED strobe, (0-9) OFF, (10-255) getting faster.

Channel 8: Dimmer, (0-9) OFF, (10-255) LED lights up gradually.

After connecting with DMX signal, the digital display will only show the address.

When the machine is heating, it will display HEAT

◆ Fluid sensor

This machine uses electronic program to detect whether there is fluid inside tube or not, hence to protect the pump from being damaged when there is no fluid.

1. How to activate "low-fluid protection"

When the no-fluid function is ON, so when the internal inspection module check out there is no oil inside the tube but the machine is still working, then the machine will get into oil free protection 20s later by shutting the pump off. The digital display will keep flashing.

How to release "low-fluid protection"

When the machine is under the protection of low fluid, after refilling the fluid, there are three ways to release the protection.

- A). Keep pressing the one board red fog button until the fog liquid fill the tube

completely, then the machine would exit low-fluid protection.

B). Under the wireless remote control, keep pressing any buttons until the fog liquid fill the tube completely, then the machine would exit low-fluid protection.

C). Under the DMX control, firstly push the slider of channel one to the value below 10(Fog OFF), then push the slider up to value above 10(Fog ON), the machine would exit low-fluid protection by doing so.

Note: When the machine is heating up. HEAT page is prior to ADDR and all the other pages. Without connecting with DMX, the digital display will back to page ADDR automatically.

● **Service and Maintenance**

1. Please use DJPOWER fluid. It will prolong the lifetime of machines. To avoid danger, it is not allowed to take machine apart by unprofessional man. Neither to refit the machine.
2. Excessive dust, fluid residue and dirt will degrade performance and cause overheating. Remove dust from air vents with air compressor, vacuum or a soft brush. The casing could be cleaned by the damp cloth.
3. Before storing, run distilled water through the heating system to help avoid blocking the electric heating element.
4. It is recommended to run the machine on a monthly basis in order to achieve best performance and output condition.
5. All smoke machine will be blocked because of the inferior liquid or frequent use. Periodic maintenance is necessary for long term use. After 40 hours continuous working, please spray 10-15 times with the detergent composed of 35% vinegar and 65% distilled water.
6. Please properly operate the machine comply with user manual.

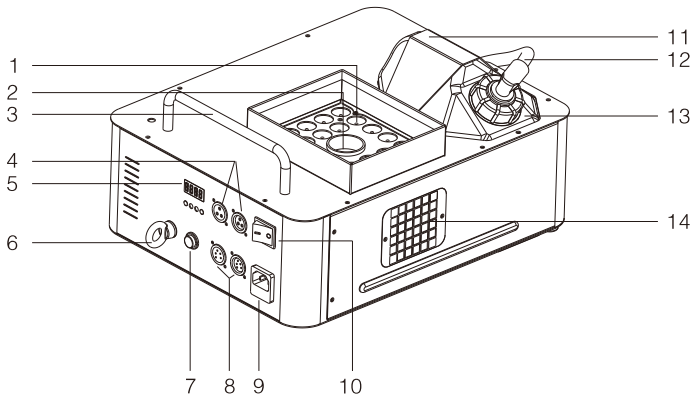
● **Technical specification**

Input Voltage:	AC 220 V-240 V 50/60 Hz
Fuse:	F8 A/250 V
Total Power Consumption:	1,500 W
LED Power:	3 W X 21 PCS
LED Color:	RGB
Heat up Time:	4 min
Max Output Volume:	32,000 cuft/min
Fluid Consumption Rate:	6.3 min/L
Max Output Height:	6~8 m
Wireless Controller:	W-5
DMX-512:	√
Fluid Tank Capacity:	2.5 L
Net Weight:	8.7 kg
Gross Weight:	9.6 kg
Machine Dimensions:	475/314/205 mm
Packing Dimensions:	510/375/250 mm

DMX Channel: 8
Consumable: PRO-V

● **Configuration**

- 1. LED
- 2. Nozzle
- 3. Handle
- 4. 3-pin DMX Socket
- 5. Digital Display
- 6. Hanging Ring
- 7. Fog Button
- 8. 5-pin DMX Socket
- 9. Power Socket
- 10. Power Switch
- 11. Fixed Plate
- 12. Fluid Tube
- 13. Fluid Container
- 14. Wind Inlet



● **Fog machine fluid blowout and heater blocking phenomenon analysis**

Please use the original consumables, protect your health and life of machine

A.Fluid injection trouble: Refers to the fog fluid atomizing in the heater pipe of the machine is not good, heater temperature cannot be timely and effective transmit to the fog fluid, fog fluid cannot all atomization and lead to fluid injection

First reason: Using the low quality or counterfeit fog fluid, low quality fog fluid have more impurities, easy to adhere to the pipe wall and hindered temperature transmission result in incomplete atomization caused fluid injection.

Second reason: using an incorrect fog fluid. Different fog fluid have different required atomization temperature. If you use the wrong fog fluid result in fluid cannot fully atomization caused fluid injection.(fig 1)

B.Heater blocking trouble : poor atomization fluid injection is the early signs of heater block. Using poor quality fog fluid or not timely maintenance cleaning the fog machine for a long time. Inevitable will appear the terminal symptom of heater blocking.

Reason: heater blocked is because used inferior fog fluid or not maintenance for a long time. Have nothing to do with the quality of machine. Like a car with poor quality gasoline produce poor fluid circuit failure or long-time no maintenance the car will inevitably appear bigger problems. (fig 2)

C.Solutions to these problems: fog machine heating pipes used for a long time and then the pipe wall will easily produce sediments (The more inferior fog fluid the more impurities thus lead to fluid injection or blocked). All fog machines need regular maintenance (fog machine maintenance cycle for 1 to 2 months/time). Specific maintenance method: after heating the 35% white vinegar plus 65% distilled water and then spray 10 to 15 times

Conclusion: As long as the fog machine with fluid injection or heater blocking after using a period of time. It was caused by fog fluid quality or lack of maintenance, has nothing to do with the quality of the machine. Please use the original high quality fog fluid and timely maintain it, then it can be used for a long time.

