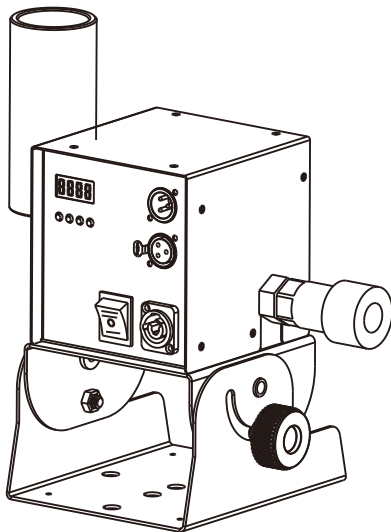


djv[®] BY DJPOWER[®]

[PRO STAGE EFFECTS]



DL-4 CO2 JET

USER MANUAL

◆ Foreword

Thank you very much of choosing the DJPOWER DL-4 CO2 Jet machine. Before start operating, we strongly suggest to read the user manual carefully. By following the instructions in the user manual will ensure your safety while operating the machine, easily achieve the best effect, as well as understanding the right way to care for and maintain the machine in order to prolong the product life cycle.

◆ Products description

The CO2 Jet is intended to electronically blow white smoke plumes of CO2 from a distance. As soon as the CO2 leaves the cylinder through the CO2 Jet's secured high-pressure hoses, it converts into gas. This formation of gas is accompanied by a low noise and a solid white plume of smoke will be visible. The length of this plume can reach 8m height. This depends on the air humidity: in case of a high degree of air humidity, the smoke plume will be larger and in case of a low degree of air humidity it will be smaller.



Pay attention to all attentions in the user manual and warning printed on the device ,and must operate In accordance with the instructions.

◆ Attentions for install

- Connecting pipe order: connect the nonrapid piecing first ,then the rapid.
- Protect the rapid piecing when connecting, avoid rubbing, striking with hard goods (like floor), keep piecing clean, or will result in the rapid piecing can't seal.
- Because the pressure of pipe is very huge when the machine is working, so the nonrapid piecing must be screw up by wrench while connecting, otherwise may cause air leakage.
- After connecting pipes, test electric property of the machine firstly, if it is fine, connect Co2.

Test electric property's method: Test every solenoid valve if has on and off order by electronic control or DMX control, when solenoid valve on and off ,it will make a sound.

- After testing electric property, prohibit everyone close to gas column right above, open the valve of the gas bomb slowly. Don't open all the valve quickly, ought to listening carefully if there is any voice of leakage when you open it .Ensure there is not air leakage, then open the valve.
- If air leakage ,turn off the valve of gas bomb immediately, make sure the gas in piecing and pipes are all let out, then connect. If air leakage is nonrapid piecing,

always it's not screwed up. use wrench screw up can resolve. If air leakage is rapid piecing, always it's not connect in place. Now you can't connect again immediately. Firstly separate the rapid piecing ,and wait for over ten minutes, when it's in normal temperature, then connect.

- After open all the valve of gas bomb ,the pressure of gauge display normally(about 5Mpa),if it's too low, mean that the gas is not enough.
- One second before the first spray will lesser after connect,it's an normal phenomenon.Because there is residual air in the pipes while connecting the first time.

◆ **Safety attentions**

- Before connecting machine to power, always check voltage indicate on machine match to your local voltage. Do not use the machine if machine power voltage does not match. Always connect to a grounded circuit to avoid risk of electrocution.
- While CO2 get through, everybody can't close to gas column right above.
- Before interrupt, make sure there is no any gas in the pipes.
- Operation Place should not too narrow, and must keep ventilated.

◆ **Other attentions**

- Clean the machine regularly in case of blocking phenomenon so that it can length its lifetime.
- The maximum life time of the connecting pipe is one year and it has to be changed to a new one after one year.

◆ **Opening the package and inspecting the machine**

When opening the machine, please make sure all the parts are included for proper operation, and check if there is any damage caused by the transportation. Shall you find any defects please do not plug in the machine, make sure to contact your dealer.

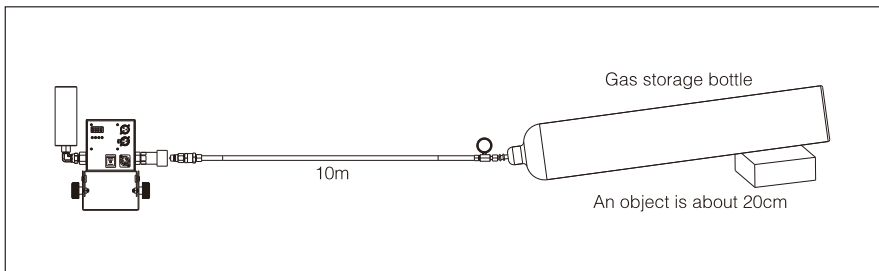
◆ **The following parts should be included when the X-4 CO2Jet machine shipped from the factory**

- DL-4 CO2 Jet
- Power Cord
- User Manual

Optional: carbon dioxide high pressure connecting pipe with various specifications.

◆ **Instruction for install**

1. Ensure the machine and all the parts are in good condition. Put the machine on flat and decide the position of each device.
2. Link all the devices with pipes ,adjust the nozzles' direction and fix them, connect the devices to power supply by power cord. (Each device shall be connected to the power supply by the separate power cord)
3. Attention: Please ensure the position of the gas cylinder are correct, whether keep upright or lay down. If it is positioned improperly, the gas would be thin. Lay down the cylinder horizontally(See picture). In this case, please make the bottom higher than the top by adding a 20cm object.



◆ Operating illustration

1. Electronic control
Open the valves of gas bomb slowly,dial the switch of device to “POWER”,it will present an wonderful effects.if want to stop the device,dial the switch device to “OFF”.
2. DMX control
Dial the switch of device to “DMX”,it turn into DMX control.

◆ Illustrations for the button of device

1. When the devices are not connected by DMX,the LED displsy “Addr”.



2. When the devices in “Addr”,press “ENTER”button,turn into adress setting,press ▲、▼button can adjust address,press “ENTER”button ensure setting. If there is no operation in ten seconds,the LED go back to “Addr”again.
3. When the devices are connected by DMX,the LED displsy address number,press ▲、▼button can adjust address.

◆ Technical specifications

Input Voltage:	AC 220V - 240 V, 50/60 Hz
Fuse:	F2 A/250 V
Total Power Consumption:	25 W
Jet Height:	Appr. 8 m
DMX-512:	✓
Net Weight:	4 kg
Gross Weight:	4.8 kg
Machine Dimensions:	284.4 × 170 × 313.6 mm
Packing Dimensions:	355 × 330 × 220 mm
DMX Channel:	1
Consumable:	Liquid carbon dioxide

◆ **Diagram**

