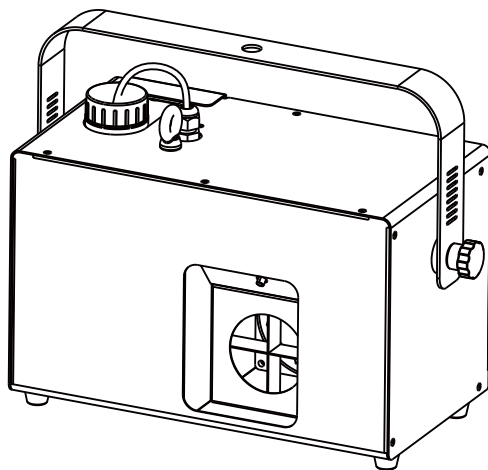


djv[®] BY DJPOWER[®]

[PRO STAGE EFFECTS]



DJ-300 USER MANUAL
MINI HAZE MACHINE

◆ Foreword

Thank you very much of choosing DJPOWER DJ-300 MINI HAZE MACHINE.

Before starting operation, we strongly suggest you to read the user manual carefully. Following the instructions here will ensure your safety while operating the machine, easily achieve the best effect, as well as understand the right way to care for and maintain the machine, hence to prolong the product life cycle.

◆ Introduction

DJ-300 is a professional haze machine specially which is designed for KTV, with DMX function, low consumption, small volume, only 4kg. Contracted but not simple, small size but big capacity, 1.5L fluid tank is special designed and purposely matched to this unit, which can be replaced by new bottle directly if need. The max output can reach 11 hours when it is full of fluid. No matter hanging or putting on the ground use, the angle of nozzle can be easily adjusted by hanging bracket. No complicated operation, interface, but convenient knob switch, one to control the fog output, the other for timer.

The reserved signal control interface works once plugging in, no need any controller.

◆ Features

1. Even and thin haze effect;
2. No burnt flavor, doing no harm to optic;
3. Low noise and environmental protection;
4. Low fluid consumption;
5. Small size and light weight;
6. Do use the professional DJV-002 haze fluid only, it is pure, environmental protection and healthy. what is more, it conforms to the American FDA standard.



Optional W-2 wireless controller set (extra charge), for customer special requirement.
Optional M-1 wired controller set (extra charge), for customer special requirement.

◆ Safety use

- Keep the fixture dry. For indoor and outdoor used.
- Use grounded electrical outlet. Prior to use, make sure that unit is installed at the rated voltage.
- Turn off or unplug when not using it.
- This machine is not water-proof. Please keep it away from moisture and water. If moisture, water, or fluid gets inside the housing, stop using it.
- No user serviceable and modifiable parts inside. Do not disassemble the housing and do any modification, otherwise it might cause damage to the unit or danger of burning.

- For adult use only. Fixture must be installed out of the reach of children. Never leave the unit running unattended. Keep it away from fire , combustibile and flammable materials.
- Position the machine in well-ventilated area. Please leave about 50cm spaces surrounding the unit.
- Please do not use the fixture under high temperature.
- Never add flammable liquids of any kind(oil,gas,perfume)to the fog liquid.
- If something wrong happen while using, please stop the fixture immediately,
- cut off the power, and check the fog liquid amount, fuse, power cable and power plug. If problem could not be resolved, please contact with your dealer.
- Use only the professional DJV-002 haze fluid .
- Never drink liquid. If it is ingested, call a doctor immediately for any discomfort. If liquid comes in contact with skin or eyes, rinse thoroughly with water.

◆ **Unpackaging and inspection**

Immediately upon receiving the machine, carefully unpack the carton, check all content to ensure that all parts are present and have been received in good condition. If any parts appear damaged or mishandled from shipping, please do not power on the machine. Contact with the shipper immediately.

◆ **The following items should be included when you receive the package:**

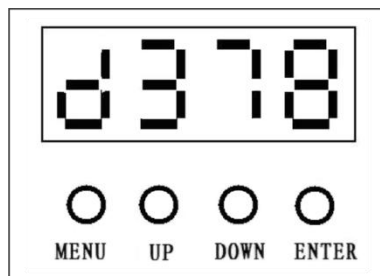
1. 1 x DJ-300 Mini Haze Machine
2. 1 x Power Cord
3. 1 x User Manual

◆ **Function Specification**

It is optional for users to choose wireless remote control W – 2(extra payment required), wired controller M-1 (extra payment required) , DMX control, and adjustable Digital Display Page control the output.

DMX control is prior to wireless remote controller. It can work continuously after first time heating.

◆ **Buttons instructions**



MENU button: Different pages can be chosen, there are 4 pages in total.

UP : Increase value set for subpages.

DOWM: Decrease value set for subpages.

Enter: Confirm or exit.

◆ Digital display

1) Heat page



It shows that machine is heating . After finishing heating, this page will disappear, and show relevant operation page, output page will show as default.

2) Different pages are changed by "MENU"

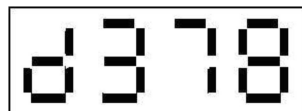
a. Haze output page



After finishing heating, the haze output volume can be adjusted by the knob on the operation panel. And the display shows value of output, 0 for off, 3 for max.

b. MENU : Different pages are changed by "MENU"

1. DMX address set page



Address values can be set by up or down, and it can be save after setting by enter

2. Set the time interval in TIMER mode



Values 10s-300s can be set by up and down,and it can be save after setting by enter.

3.Set the time duration in TIMER mode



Values 10s-300s can be set by up and down,and it can be save after setting by ente.

◆ Function specification

1. Time duration

After heating, set the haze output by down in menu.Page from off to H 3, decrease values.Or adjust the rotary switch. It's off by enter.



2. Timer mode

After heating, set the time interval in menu. Haze values by down, and timer mode by up.Stop timer mode and return menu by enter. It's off by enter.

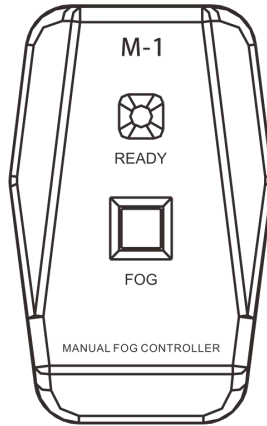
PS: Haze output rotary switch is invalid



◆ Wired controller specification

It's optional for user to choose wireless remote control W-2, M-1 wired controller, DMX control, and adjustable control function operation page for output. DMX control is prior to wireless remote controller. It can work continuously after first time heating

◆ **M-1 wired remote controller Operating Instruction (optional, extra charge)**



Note: This button is point contact button, Press the button on the remote control to start smoking, and press it again to stop smoking.

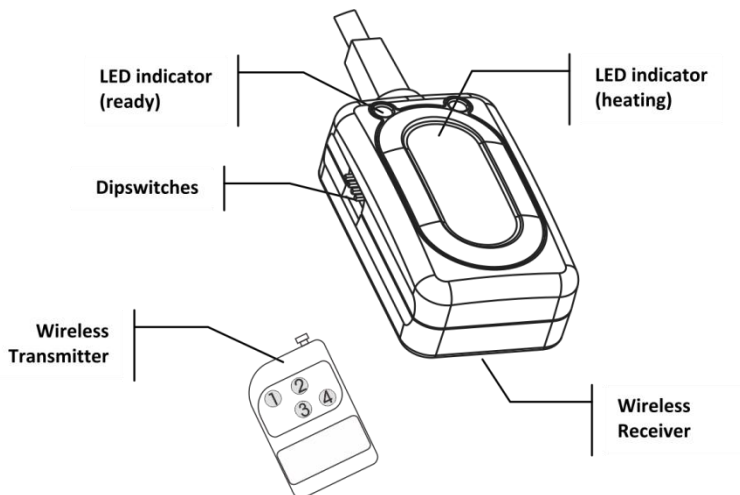
W-2 wireless remote controller Operating Instruction (optional, extra charge)

This device can use optional wireless controller to control the fog, this includes transmitters and receivers, you can control up to four separate fog machine, if it is to let them run at the same time the number could be more.

Please read the following instructions to operate the W-2 wireless controller

1. Insert the wire receiver into the 5-pin socket which have the logo "Wireless Controller" above the machine
2. There are four buttons on the wireless remote control transmitter can make smoke machine work. Each button is specified using in different smoke machine, you can only choose one address switches on each receiver. Please see the following configuration structure to set the receiver and transmitter of remote operations

Mode	Dipswitches
CH1	1 = On, 2-4 = Off
CH2	2 = On, 1,3,4 = Off
CH3	3 = On, 1,2,4 = Off
CH4	4 = On, 1,2,3 = Off
3. Hold the wireless remote controller, Press the button to start the smoke, and press the button again to stop the smoke.



◆ DMX Function Setting

There are one DMX channel, as following.

Channel 1: FAZER output. (0~10)OFF; (11~255) increase

When the unit is connected to DMX, LCD display will show the address value.

When it comes to heating, it shows the heating status.

◆ Service and Maintenance

- Please use DJPOWER fluid. It will prolong the lifetime of machines. To avoid danger, it is not allowed to take machine apart by unprofessional man. Neither to refit the machine.
- Excessive dust, fluid residue and dirt will degrade performance and cause overheating. Remove dust from air vents with air compressor, vacuum or a soft brush. The casing could be cleaned by the damp cloth.
- Before storing, run distilled water through the heating system to help avoid blocking the electric heating element.
- It is recommended to run the machine on a monthly basis in order to achieve best performance and output condition.
- All smoke machine will be blocked because of the inferior liquid or frequent use. Periodic maintenance is necessary for long term use. After 40 hours continuous working, please spray 10-15 times with the detergent composed of 35% vinegar and 65% distilled water.
- Please properly operate the machine comply with user manual.

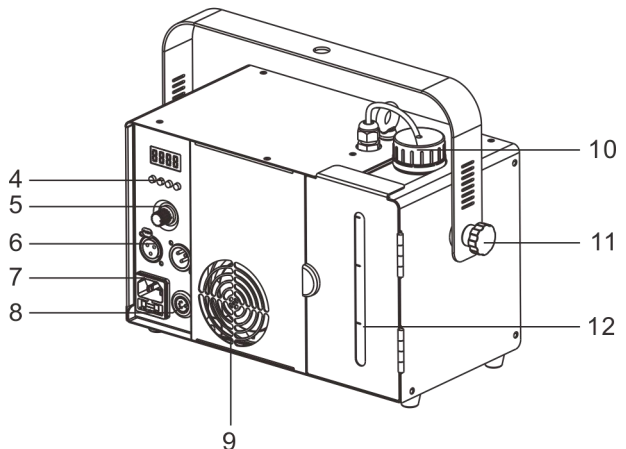
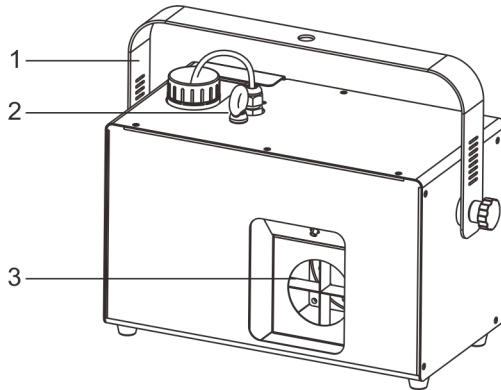
◆ Technical Parameter

Model:	DJ-300
Voltage:	AC 220V - 240V, 50/60 Hz
Fuse:	F3 A/250 V

Power:	230 W
Heat-up Time:	2 min 30 seconds
Output:	3,000 cuft/min
Fluid consumption Rate:	5 h 33 min/L
Controller Optional:	W-2 or M-1
DMX-512:	√
Tank capacity:	1.5 L
N.W.:	4 kg
G.W.:	4.5 kg
Machine Size:	336/150/253 mm
Package Size:	355/255/275 mm
DMX Channel:	1
Consumables:	DJV-002

◆ Product Overview

1. Hanging bracket
2. Safety ring
3. Nozzle
4. Digital display
5. Haze adjustment
6. DMX socket
7. Power cord
8. Transmitter connector
9. Fan
10. Container
11. Knob
12. Fluid level indicator



◆ Fog machine oil blowout and heater blocking phenomenon analysis

Please use the original consumables, protect your health and life of machine

A.Oil injection trouble: Refers to the fog fluid atomizing in the heater pipe of the machine is not good, heater temperature cannot be timely and effective transmit to the fog fluid, fog fluid cannot all atomization and lead to oil injection

First reason: Using the low quality or counterfeit fog fluid, low quality fog fluid have more impurities, easy to adhere to the pipe wall and hindered temperature transmission result in incomplete atomization caused oil injection.

Second reason: using an incorrect fog fluid. Different fog fluid have different required atomization temperature. If you use the wrong fog fluid result in oil cannot fully atomization caused oil injection.(fig 1)

B.Heater blocking trouble: poor atomization oil injection is the early signs of heater block. Using poor quality fog fluid or not timely maintenance cleaning the fog machine for a long time. Inevitable will appear the terminal symptom of heater blocking.

Reason: heater blocked is because used inferior fog fluid or not maintenance for a long time. Have nothing to do with the quality of machine. Like a car with poor quality gasoline produce poor oil circuit failure or long-time no maintenance the car will inevitably appear bigger problems. (fig 2)

C.Solutions to these problems: fog machine heating pipes used for a long time and then the pipe wall will easily produce sediments (The more inferior fog fluid the more impurities thus lead to oil injection or blocked). All fog machines need regular maintenance (fog machine maintenance cycle for 1 to 2 months/time). Specific maintenance method: after heating the 35% white vinegar plus 65% distilled water and then spray 10 to 15 times

Conclusion: As long as the fog machine with oil injection or heater blocking after using a period of time. It was caused by fog fluid quality or lack of maintenance, has nothing to do with the quality of the machine. Please use the original high quality fog fluid and timely maintain it, then it can be used for a long time.

