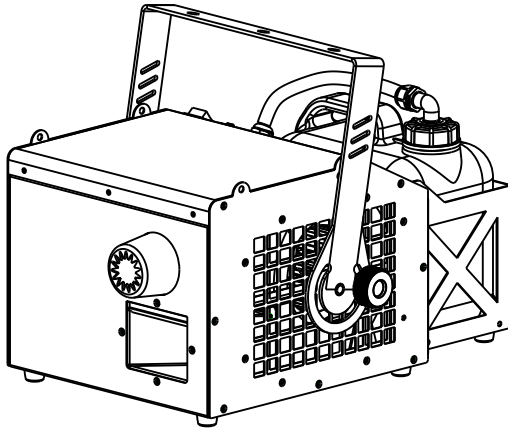


# **X-FORCE**

by DJPOWER



## **S-5** *USER MANUAL*

---

### ***SUPER QUIET SNOW MACHINE***



## ■ Introduction

1. S-5 snow machine is a mini version of H-S2. The snow output is 50% of H-S2. Higher cost-performance ratio. Suitable for more small venues that need stimulate the snowing effect!
2. Noise is controlled very well! Its working noise is just 62db when at 10meters away. That would make your performance more wonderful and professional!
3. Small size and weight, only 13kg. More convenient when being hung up and transported!
4. Effective oil absorption function makes machine could work after long idle time.

## ■ Features

1. Super quiet when working, only 62db;
2. Snowflakes drifting distance up to 10 meters;
3. Adjustable for the output, distance and size of the snowflake;
4. Can hang in the air or place on the floor to adjust the angel of snowflake;
5. No need to worry about the problem of poor sucker when idle for a long time;
6. Pls use DJPOWER's high-quality snow fluid PRO-X only, otherwise it will damage the machine.

## ■ Safety use

In order to prevent the snow fluid from splashing onto the ground after the snow disperse, causing the ground to be slippery, it is recommended to use a layer of absorbent cotton on the ground of the snow machine to prevent slipping. When the machine is used hanging, the bottom of the machine should be kept away from people or important objects. After using the machine, snow fluid remaining on the ground should be cleaned up promptly to prevent people from slipping.

1. Use grounded electrical outlet. Prior to use,make sure that unit is installed at the rated voltage. Turn off or unplug when not using it.
2. This machine is not water-proof. Please keep it away from moisture and water. If moisture,water,or fluid gets inside the housing, stop using it.
3. No user serviceable and modifiable parts inside. Do not disassemble the housing and do any modification, otherwise it might cause damage to the unit or danger of burning.
4. For adult use only. Fixture must be installed out of the reach of children.Never leave the unit running unattended. Keep it away from fire,combustible and flammable materials.
5. Position the machine in well-ventilated area. Please leave about 50cm spaces surrounding the unit.
6. Please do not use the fixture under high temperature.
7. Never add flammable liquids of any kind(oil,gas,perfume)to the fog liquid.
8. If something wrong happens while using, please stop the fixture immediately, cut

off the power, and check the fog liquid amount, fuse, power cable and power plug. If problem could not be resolved, please contact with your dealer.

9. Use only DJPOWER high-quality PRO-X snow liquid.
10. Never drink liquid. If it is ingested, call a doctor immediately for any discomfort. If liquid comes in contact with skin or eyes, rinse thoroughly with water.

### ■ **Unpackaging and inspection**

Immediately upon receiving the machine, carefully unpack the carton, check all content to ensure that all parts are present and have been received in good condition. If any parts appear damaged or mishandled from shipping, please do not power on the machine. Contact with the shipper immediately.

### ■ **What is included**

1. 1 × S-5 snow machine
2. 1 × power cord
3. 1 × W-4 wireless remote
4. 1 × user manual

### ■ **LCD Control**



- Language can be chosen: Chinese or English. Convenient to use.  
LCD controller only work when DMX control is disconnected. ( unavailable when DMX is connected)
- Four Buttons of LCD control:  
“MENU” : For changing the pages ( different page for different setting)  
“UP” : Increase/ “TIMER” (Setting interval and duration)  
“DOWN” : Decrease/ Ration: ( Setting snow output)  
“ENTER” : Enter/Exist,

Press “FUNCTION” button, there are 10 pages, respectfully are:

1. English: “Ready To Fog”  
The first page, it shows that the machine is ready to work
2. English: “Interval Set”  
The second page, setting the snowflake output interval (the range is from 5 to 200 seconds)
3. English: “Duration Set”  
The third page, setting of the snowflake output duration (the range is from 5 to 200 seconds)

4. English: "Timer Out"  
The fourth page, setting of the snowflake volume output under the TIMER mode (the range is from 1% to 100%)
5. English: "Volume Out"  
The fifth page, setting of the snowflake output under VOLUME mode (the range is from 1% to 100%)
6. English: "Fan Speed"  
The sixth page, setting of fan volume (the range is from 1% to 100%)
7. English: "DMX512 ADD"  
The seventh page, setting of DMX channel,
8. English: "Wireless Set"  
The eighth page, setting of the wireless remote control, press ENTER button to save after choosing ON/OFF setting
9. English: "Direct Timer"  
The tenth page. If direct timer is ON, when user turn off the machine and power on again, it will conduct the timer mode directly. After setting, press ENTER button to save.
10. English: "Language"  
The eleventh page, user can choose the language in this page, press ENTER button after choosing the language.

#### ■ Notes

- Under any setting pages, press STOP to exit or return to the page one.
- When the unit is working, press STOP to stop running and return to the page one.
- After enter into different setting pages, press UP and DOWN to change the value.
- When it is in the page one, press TIMER button to enter into timer mode directly.
- The snow output can be adjusted through TIMER OUT.  
Or press VOLUME button directly to let the unit work. At this time, snow output can be adjusted through the VOLUME OUT.

#### ■ Wireless remote Function

Wireless remote control can work over 50 meters. This function is available once the machine is connected and powered on, also the DMX control is shut off. W-4 remote controller has two buttons, the left one for starting snowflake output, the right one for stopping snowflake output. The same machine can be matched with five controllers with different frequency channels at most. By doing so, each machine can be controlled independently without effects from other remote controllers. Instruction as follows.

##### 1.1 The match of the wireless remote

After the machine is powered on and the wireless remote function page shows ON, the LCD displays "Wireless Setup", then the remote control can be matched. Press any button of wireless remote (last for 1s at least), the display page will flash twice showing the match of remote controller is done successfully. The same machine can match with five controllers with different frequency channels at most. If user register the sixth one, then the memory for the first one will be erased. While if the machine has matched with five controllers last time, and user matches it

with another new remote in next time's use, it would only recognize the new remote rather than the old three.

For example:

①If one machine matches three remote controllers. During 15s after the machine is powered on, the LCD display shows "Wireless Setup", press any buttons on the three remotes respectively within 15s. The display page will flash twice showing the match of remote controller being matched successfully, or it needs to rematch.

②If one wireless remote controls two or more machines. Power on two machines simultaneously, LCD display screens will show "Wireless Setup", press any buttons on the remote till the display pages flash twice.

### 1.2 Operation under remote control

Press ON button to run the unit or OFF button to stop it.. Under remote control, the snowflake volume output is based on the value of "Volume Out" setting. For example, if the volume setting is 1% set under "Volume Out"page, then it will be 1% when controlled by wireless remote. If it is 100 % volume output under "Volume Out"page, it will be 100% accordingly under remote control

Note:

①When register the wireless remote,, keep pressing the "ON" button till the display page flashes twice. By doing this, W-4 are matched successfully.

②If the wireless remote is under OFF status, when the machine is powered on again. The LCD display will not show "wireless setup"

③Wireless remote control function is unavailable under DMX control.

## ■ DMX Control

After receiving DMX signal, LCD display only shows the DMX512 address page. User can can change the DMX512 address freely.

There are two DMX control channels, as follows.

Channel 1 : Control the wind's volume, ( 0-5 ) OFF, ( 6-255 ) ON, wind's volume increases gradually.

Channel 2: Control the snow output, ( 0-5 ) OFF, ( 6-255 ) ON , snow output increases gradually.

Remarks: Under DMX control, if channel one is "OFF" ,while the channel two is "ON", then the wind output would be the minimum volume.

### Note:

If the machine is not used over 15 days, please refill some clean water rather than the snow fluid and make the machine operated for several minutes. By doing so, the pump can work normally next time.

## ■ Specification

|                          |                      |                      |
|--------------------------|----------------------|----------------------|
| Input Voltage:           | AC 100-120V, 50/60Hz | AC 220-240V, 50/60Hz |
| Breaker:                 | 8A/250V              | 5A/250V              |
| Total Power Consumption: | 300 W                |                      |
| Max Height:              | 5 m                  |                      |
| Max Distance:            | 7 m                  |                      |
| Noise:                   | ≥10 m, 62 dB         |                      |
| Fluid Consumption Rate:  | 16.7 min/L           |                      |
| Wireless Control:        | W-4                  |                      |

Fluid Tank Capacity: 5 L  
 Net Weight: 12.3 kg  
 Gross Weight: 13.8 kg  
 Machine Dimensions: 508.3 × 359 × 267 mm  
 Packing Dimensions: 590 × 415 × 345 mm

■ **Product overview**

1. Snow Nozzle
2. Fan Nozzle
3. Cradle
4. LCD Screen
5. Air Inlet
6. Knob
7. Safety Hole
8. 3-pin DMX Socket
9. Overloaded Protector
10. Power Switch
11. Power Socket
12. Oil Inlet Junction
13. 5-pin DMX Socket
14. Oil Container
15. Rubber Feet

